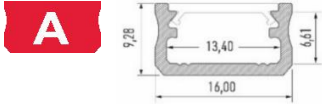









FURNITURE PROFILES

Description	Photo	Colour	Index
Profile LL A			
		raw	1210-0010-10
		silver anodized	1210-0014-10
		black anodized	1210-0012-10
		inox anodized	1210-0013-10
		white lacquered	1210-0011-10
End Caps LL A [with hole, without hole]		Plastic End Caps	
		gray	1212-0014-01
		black	1212-0012-01
		white	1212-0011-01
		inox	1212-0013-01
		Plastic End Caps with hole	
		gray	1212-0014-00
		black	1212-0012-00
		white	1212-0011-00
		inox	1212-0013-00
		Aluminium End Caps	
		silver	1212-0015-11
		black	1212-0012-11
		Aluminium End Caps with hole	
silver	1212-0015-10		
black	1212-0012-10		
End Caps LL A HIGH [with hole, without hole]		Plastic End Caps	
		gray	1212-0024-01
		black	1212-0022-01
		white	1212-0021-01
		inox	1212-0023-01
		Plastic End Caps with hole	
		gray	1212-0024-00
		black	1212-0022-00
		white	1212-0021-00
		inox	1212-0023-00
		Aluminium End Caps	
		silver	1212-0025-11
		black	1212-0022-11
		Aluminium End Caps with hole	
silver	1212-0025-10		
black	1212-0022-10		
Mounting clips plastic A MINI		transparent	1313-0023-00
		white	1313-0021-00
		black	1313-0022-00
Mounting clips plastic A STANDARD		transparent	1313-0013-00
		white	1313-0011-00
		black	1313-0012-00
Mounting clips plastic A HIGH		transparent	1313-0033-00
		white	1313-0031-00
		black	1313-0032-00
Mounting clip metal A		metal	1313-0110-02

Angular mounting clip

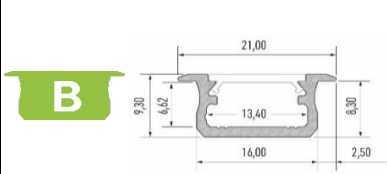




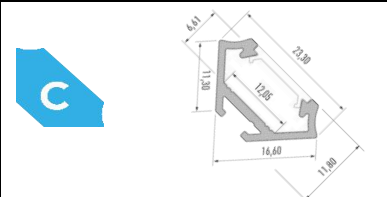






A

For proper installation you need two pieces of angle clips

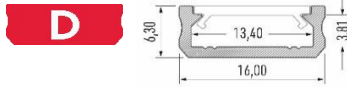


transparent

1313-0093-00

Profile LL B													
			<table border="1"> <tr><td>raw</td><td>1210-0020-10</td></tr> <tr><td>silver anodized</td><td>1210-0024-10</td></tr> <tr><td>black anodized</td><td>1210-0022-10</td></tr> <tr><td>inox anodized</td><td>1210-0023-10</td></tr> <tr><td>white lacquered</td><td>1210-0021-10</td></tr> </table>	raw	1210-0020-10	silver anodized	1210-0024-10	black anodized	1210-0022-10	inox anodized	1210-0023-10	white lacquered	1210-0021-10
		raw	1210-0020-10										
		silver anodized	1210-0024-10										
		black anodized	1210-0022-10										
		inox anodized	1210-0023-10										
white lacquered	1210-0021-10												
End Caps LL B [straight finish with hole]		Plastic End Caps with hole											
		gray	1212-0154-00										
		black	1212-0152-00										
		white	1212-0151-00										
End Caps LL B [round finish with hole]		Plastic End Caps with hole											
		gray	1212-0034-00										
		black	1212-0032-00										
		white	1212-0031-00										
		Aluminium End Caps with hole											
		silver	1212-0035-10										
		black	1212-0032-10										
Profile LL C													
			<table border="1"> <tr><td>raw</td><td>1210-0030-10</td></tr> <tr><td>silver anodized</td><td>1210-0034-10</td></tr> <tr><td>black anodized</td><td>1210-0032-10</td></tr> <tr><td>inox anodized</td><td>1210-0033-10</td></tr> <tr><td>white lacquered</td><td>1210-0031-10</td></tr> </table>	raw	1210-0030-10	silver anodized	1210-0034-10	black anodized	1210-0032-10	inox anodized	1210-0033-10	white lacquered	1210-0031-10
		raw	1210-0030-10										
		silver anodized	1210-0034-10										
		black anodized	1210-0032-10										
		inox anodized	1210-0033-10										
white lacquered	1210-0031-10												
End Caps LL C [with hole, without hole]		Plastic End Caps											
		gray	1212-0044-01										
		black	1212-0042-01										
		white	1212-0041-01										
		inox	1212-0043-01										
		Plastic End Caps with hole											
		gray	1212-0044-00										
		black	1212-0042-00										
		white	1212-0041-00										
		inox	1212-0043-00										
		Aluminium End Caps											
		silver	1212-0045-11										
black	1212-0042-11												
Aluminium End Caps with hole													
silver	1212-0045-10												
black	1212-0042-10												
Mounting clips LL CH		transparent	1313-0043-00										
		white	1313-0041-00										
		black	1313-0042-00										
Mounting clip metal LL CH		metal	1313-0120-02										
Angular mounting clip LL CH For proper installation you need two pieces of angle clips		transparent	1313-0103-00										

Profile LL D



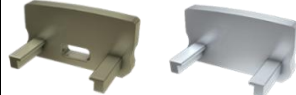
raw	1210-0040-10
silver anodized	1210-0044-10
black anodized	1210-0042-10
inox anodized	1210-0043-10
white lacquered	1210-0041-10

**End Caps
LL D**
[with hole, without hole]



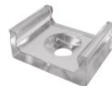
Plastic End Caps	
gray	1212-0054-01
black	1212-0052-01
white	1212-0051-01
inox	1212-0053-01
Plastic End Caps with hole	
gray	1212-0054-00
black	1212-0052-00
white	1212-0051-00
inox	1212-0053-00
Aluminium End Caps	
silver	1212-0055-11
black	1212-0052-11
Aluminium End Caps with hole	
silver	1212-0055-10
black	1212-0052-10

**End Caps
LL D HIGH**
[with hole, without hole]



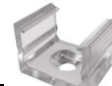
Plastic End Caps	
gray	1212-0064-01
black	1212-0062-01
white	1212-0061-01
inox	1212-0063-01
Plastic End Caps with hole	
gray	1212-0064-00
black	1212-0062-00
white	1212-0061-00
inox	1212-0063-00
Aluminium End Caps	
silver	1212-0065-11
black	1212-0062-11
Aluminium End Caps with hole	
silver	1212-0065-10
black	1212-0062-10

**Mounting clips
LL D MINI**



transparent	1313-0053-00
white	1313-0051-00
black	1313-0052-00

**Mounting clips
LL D HIGH**



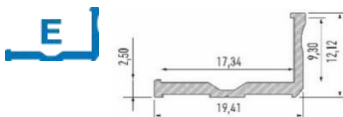
transparent	1313-0063-00
white	1313-0061-00
black	1313-0062-00

**Mounting clip
metal
LL D**



metal	1313-0140-02
-------	--------------

Profile LL E

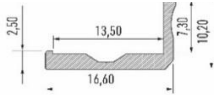




raw	1210-0050-10
silver anodized	1210-0054-10
white lacquered	1210-0051-10

Profile LL F

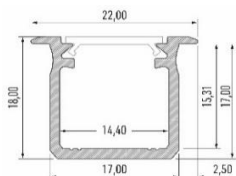


raw	1210-0060-10
-----	--------------



	silver anodized	1210-0064-10
	white lacquered	1210-0061-10

Profile LL G



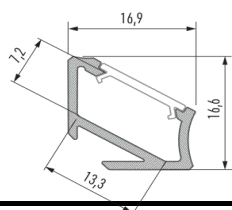
raw	1210-0070-10
silver anodized	1210-0074-10
black anodized	1210-0072-10
inox anodized	1210-0073-10
white lacquered	1210-0071-10

**End Caps
LL G
[with hole]**



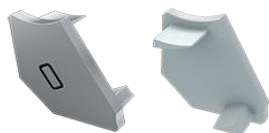
Plastic End Caps with hole	
gray	1212-0074-00
black	1212-0072-00
white	1212-0071-00
inox	1212-0073-00
Aluminium End Caps with hole	
silver	1212-0075-10
black	1212-0072-10

Profile LL H



raw	1210-0450-10
silver anodized	1210-0454-10
black anodized	1210-0452-10
inox anodized	1210-0453-10
white lacquered	1210-0451-10

**End Caps LL H
[push hole]**



Plastic End Caps left (push hole)	
gray	1212-0944-01
black	1212-0942-01
white	1212-0941-01
inox	1212-0943-01
Plastic End Caps right (push hole)	
gray	1212-0954-01
black	1212-0952-01
white	1212-0951-01
inox	1212-0953-01
Aluminium End Caps left	
silver	1212-0265-11
black	1212-0262-11
Aluminium End Caps with hole left	
silver	1212-0265-10
black	1212-0262-10
Aluminium End Caps right	
silver	1212-1015-11
black	1212-1012-11
Aluminium End Caps with hole right	
silver	1212-1015-10
black	1212-1012-10

**Mounting clips
plastic
LL CH**



transparent	1313-0043-00
white	1313-0041-00
black	1313-0042-00

**Mounting clip
metal
LL CH**



metal	1313-0120-02
-------	--------------

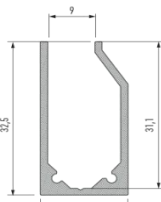
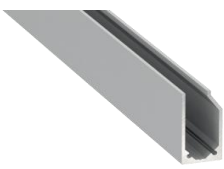

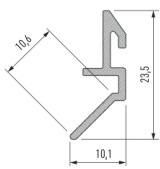
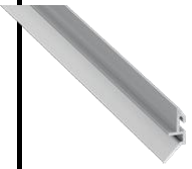




**Angular mounting clip
LL CH**



transparent	1313-0103-00
-------------	--------------

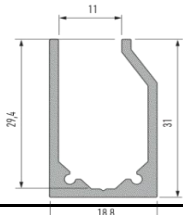
For proper installation you need two pieces of angle clips

Profile LL I6

 <p>I6</p>		 <p>silver anodized</p>	<p>1210-0474-10</p>																																
 <p>IFAR mounting profile For profiles I6, I10</p>		 <p>silver anodized</p>	<p>1210-0434-10</p>																																
<p>End Caps LL I6 [glass 6 mm]</p>		<table border="1"> <tr><td colspan="2">Aluminium End Caps left</td></tr> <tr><td>silver</td><td>1212-0315-11</td></tr> <tr><td colspan="2">Aluminium End Caps with hole left</td></tr> <tr><td>silver</td><td>1212-0315-10</td></tr> <tr><td colspan="2">Aluminium End Caps right</td></tr> <tr><td>silver</td><td>1212-0335-11</td></tr> <tr><td colspan="2">Aluminium End Caps with hole right</td></tr> <tr><td>silver</td><td>1212-0335-10</td></tr> <tr><td colspan="2">Aluminium End Caps left with support</td></tr> <tr><td>silver</td><td>1212-0325-11</td></tr> <tr><td colspan="2">Aluminium End Caps with hole left with support</td></tr> <tr><td>silver</td><td>1212-0325-10</td></tr> <tr><td colspan="2">Aluminium End Caps right with support</td></tr> <tr><td>silver</td><td>1212-0345-11</td></tr> <tr><td colspan="2">Aluminium End Caps with hole right with support</td></tr> <tr><td>silver</td><td>1212-0345-10</td></tr> </table>		Aluminium End Caps left		silver	1212-0315-11	Aluminium End Caps with hole left		silver	1212-0315-10	Aluminium End Caps right		silver	1212-0335-11	Aluminium End Caps with hole right		silver	1212-0335-10	Aluminium End Caps left with support		silver	1212-0325-11	Aluminium End Caps with hole left with support		silver	1212-0325-10	Aluminium End Caps right with support		silver	1212-0345-11	Aluminium End Caps with hole right with support		silver	1212-0345-10
Aluminium End Caps left																																			
silver	1212-0315-11																																		
Aluminium End Caps with hole left																																			
silver	1212-0315-10																																		
Aluminium End Caps right																																			
silver	1212-0335-11																																		
Aluminium End Caps with hole right																																			
silver	1212-0335-10																																		
Aluminium End Caps left with support																																			
silver	1212-0325-11																																		
Aluminium End Caps with hole left with support																																			
silver	1212-0325-10																																		
Aluminium End Caps right with support																																			
silver	1212-0345-11																																		
Aluminium End Caps with hole right with support																																			
silver	1212-0345-10																																		
<p>End Caps LL I6 [glass 8 mm]</p>		<table border="1"> <tr><td colspan="2">Aluminium End Caps left</td></tr> <tr><td>silver</td><td>1212-0355-11</td></tr> <tr><td colspan="2">Aluminium End Caps with hole left</td></tr> <tr><td>silver</td><td>1212-0355-10</td></tr> <tr><td colspan="2">Aluminium End Caps right</td></tr> <tr><td>silver</td><td>1212-0375-11</td></tr> <tr><td colspan="2">Aluminium End Caps with hole right</td></tr> <tr><td>silver</td><td>1212-0375-10</td></tr> <tr><td colspan="2">Aluminium End Caps left with support</td></tr> <tr><td>silver</td><td>1212-0365-11</td></tr> <tr><td colspan="2">Aluminium End Caps with hole left with support</td></tr> <tr><td>silver</td><td>1212-0365-10</td></tr> <tr><td colspan="2">Aluminium End Caps right with support</td></tr> <tr><td>silver</td><td>1212-0385-11</td></tr> <tr><td colspan="2">Aluminium End Caps with hole right with support</td></tr> <tr><td>silver</td><td>1212-0385-10</td></tr> </table>		Aluminium End Caps left		silver	1212-0355-11	Aluminium End Caps with hole left		silver	1212-0355-10	Aluminium End Caps right		silver	1212-0375-11	Aluminium End Caps with hole right		silver	1212-0375-10	Aluminium End Caps left with support		silver	1212-0365-11	Aluminium End Caps with hole left with support		silver	1212-0365-10	Aluminium End Caps right with support		silver	1212-0385-11	Aluminium End Caps with hole right with support		silver	1212-0385-10
Aluminium End Caps left																																			
silver	1212-0355-11																																		
Aluminium End Caps with hole left																																			
silver	1212-0355-10																																		
Aluminium End Caps right																																			
silver	1212-0375-11																																		
Aluminium End Caps with hole right																																			
silver	1212-0375-10																																		
Aluminium End Caps left with support																																			
silver	1212-0365-11																																		
Aluminium End Caps with hole left with support																																			
silver	1212-0365-10																																		
Aluminium End Caps right with support																																			
silver	1212-0385-11																																		
Aluminium End Caps with hole right with support																																			
silver	1212-0385-10																																		
<p>Rubber tape for profiles I6, I10 [glass 6-10 mm]</p>		<p>black</p>	<p>1214-5057-01</p>																																

Profile type LL I10

I10



silver anodized

1210-0464-10

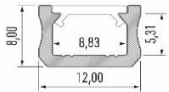
18,8

**End Caps
LL I10**
[glass 10 mm]



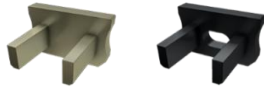
Aluminium End Caps left	
silver	1212-0275-11
Aluminium End Caps with hole left	
silver	1212-0275-10
Aluminium End Caps right	
silver	1212-0295-11
Aluminium End Caps with hole right	
silver	1212-0295-10
Aluminium End Caps left with support	
silver	1212-0285-11
Aluminium End Caps with hole left with support	
silver	1212-0285-10
Aluminium End Caps right with support	
silver	1212-0305-11
Aluminium End Caps with hole right with support	
silver	1212-0305-10

Profile LL X



raw	1210-0080-10
silver anodized	1210-0084-10
black anodized	1210-0082-10
inox anodized	1210-0083-10
white lacquered	1210-0081-10

**End Caps
LL X**
[with hole, without hole]



Plastic End Caps	
gray	1212-0084-01
black	1212-0082-01
white	1212-0081-01
inox	1212-0083-01
Plastic End Caps with hole	
gray	1212-0084-00
black	1212-0082-00
white	1212-0081-00
inox	1212-0083-00
Aluminium End Caps	
silver	1212-0085-11
black	1212-0082-11
Aluminium End Caps with hole	
silver	1212-0085-10
black	12-0082-10
transparent	1313-0073-00
white	1313-0071-00
black	1313-0072-00

**Mounting clips
LL X MINI**



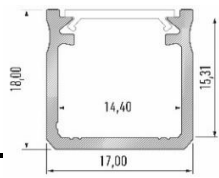
**Mounting clip
metal
LL X**



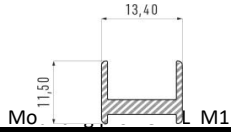
metal	1313-0160-02
-------	--------------

Profile LL Y

Y

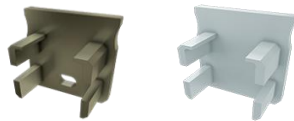


raw	12 10-0090-10
silver anodized	1210-0094-10
black anodized	1210-0092-10
inox anodized	1210-0093-10
white lacquered	1210-0091-10



silver anodized	1210-0654-10
-----------------	--------------

End Caps LL Y
[with hole, without hole]



Plastic End Caps	
gray	1212-0094-01
black	1212-0092-01
white	1212-0091-01
inox	1212-0093-01

Plastic End Caps with hole	
gray	1212-0094-00
black	1212-0092-00
white	1212-0091-00
inox	1212-0093-00

Aluminium End Caps	
silver	1212-0095-11
black	1212-0092-11

Aluminium End Caps with hole	
silver	1212-0095-10
black	1212-0092-10

Mounting clips LL Y



transparent	1313-0083-00
white	1313-0081-00
black	1313-0082-00

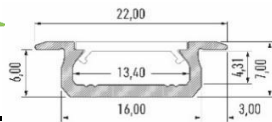
Mounting clips metal LL Y



metal	1313-0170-02
-------	--------------

Profile LL Z

Z



raw	10-0100-10
silver anodized	10-0104-10
black anodized	10-0102-10
inox anodized	10-0103-10
white lacquered	10-0101-10


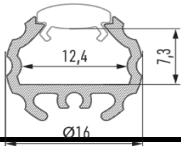



End Caps LL Z
[round finish with hole]





Plastic End Caps with hole	
gray	12-0104-00
black	12-0102-00
white	12-0101-00
inox	12-0103-00

Aluminium End Caps with hole	
silver	12-0105-10
black	12-0102-10

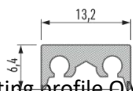
Profile LL OCI

 		raw	1210-0300-10
		silver anodized	1210-0304-10
<p>End Caps LL OCI [with hole, without hole]</p> 		black anodized	1210-0302-10
		inox anodized	1210-0303-10
		white lacquered	1210-0301-10
		Plastic End Caps	
		gray	1212-0984-01
		black	1212-0982-01
		white	1212-0981-01
		inox	1212-0983-01
		Plastic End Caps with hole	
		gray	1212-0984-00
		black	1212-0982-00
		white	1212-0981-00
		inox	1212-0983-00
		Aluminium End Caps	
		silver	1212-0545-11
		black	1212-0542-11
		Aluminium End Caps with hole	
		silver	1212-0545-10
black	1212-0542-10		
<p>Mounting clip metal LL OCI</p>		metal	1313-0150-02

Profile LL OMC




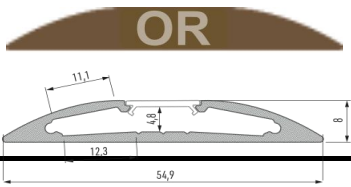


 		raw	1210-0170-10
		silver anodized	1210-0174-10
<p>End Caps LL OMC [with hole, without hole, push hole]</p> 		black anodized	1210-0172-10
		inox anodized	1210-0173-10
		white lacquered	1210-0171-10
		Plastic End Caps (push hole)	
		gray	1212-0924-01
		black	1212-0922-01
		white	1212-0921-01
		inox	1212-0923-01
		Aluminium End Caps	
		silver	1212-0175-11
black	1212-0172-11		
Aluminium End Caps with hole			
silver	1212-0175-10		
black	1212-0172-10		
Aluminium End Caps adjusting			
silver	1212-0185-11		
black	1212-0182-11		
Aluminium End Caps with hole adjusting			
silver	1212-0185-10		
black	1212-0182-10		
Adjusting rings			
silver	1214-5042-04		

Mounting profile OMC M1



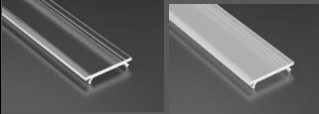
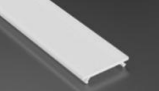
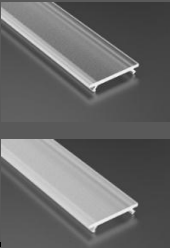
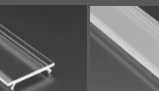
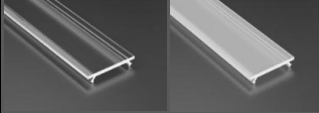
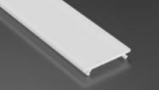
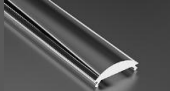
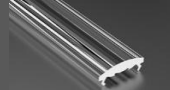
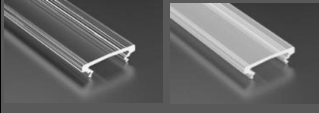
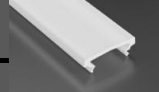
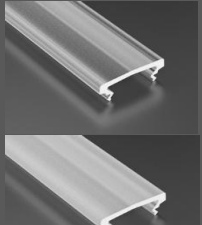
End Caps adjusting LL OMC
[with hole, without hole]

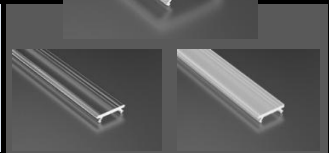

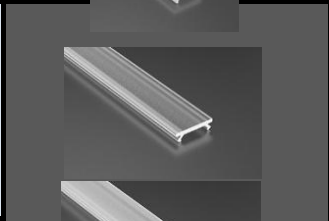
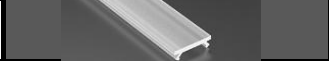
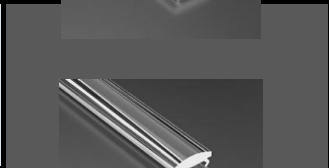



		black	1214-5042-02
Mounting clip metal LL OMC		metal	1313-0130-02
Rosettes LL OMC		flange 25 mm chrome	1214-5043-00
		low distance 25 mm - through - chrome	1214-5043-02
		low distance 25 mm - full - chrome	1214-5043-01
		distance 25 mm high - through - chrome	1214-5047-02
		distance 25 mm high - full - chrome	1214-5047-01
Profile LL OR			
		raw	1210-0520-10
		silver anodized	1210-0524-10
End Caps LL OR [with hole, without hole, push hole]		black anodized	1210-0522-10
		inox anodized	1210-0523-10
		white lacquered	1210-0521-10
		Plastic End Caps (push hole)	
		gray	1212-0994-01
		black	1212-0992-01
		white	1212-0991-01
		inox	1212-0993-01
		Aluminium End Caps	
		silver	1212-0575-11
		black	1212-0572-11
		Aluminium End Caps with hole	
		silver	1212-0575-10
		black	1212-0572-10
		Aluminium End Caps with support 15 degree left	
		silver	1212-0585-11
		Aluminium End Caps with hole with support 15 degree left	
		silver	1212-0585-10
		Aluminium End Caps with support 15 degree right	
		silver	1212-0595-11
Aluminium End Caps with hole with support 15 degree right			
silver	1212-0595-10		
Aluminium End Caps with support 30 degree left			
silver	1212-0605-11		
Aluminium End Caps with hole with support 30 degree left			
silver	1212-0605-10		
Aluminium End Caps with support 30 degree right			
silver	1212-0615-11		
Aluminium End Caps with hole with support 30 degree right			
silver	1212-0615-10		

ACCESSORIES FOR FURNITURE PROFILES



COVER

Description	Photo	Colour	Index
Cover BASIC PMMA		transparent	1211-2013-10
		frozen	1211-2012-10
		milky	1211-2011-10
For profiles [LL A,LL B,LL C,LL D,LL G,LL H,LL Y,LL Z,LL OMC,LL OR]			
Cover BASIC PMMA FROSTED		frosted	1211-2015-10
		frosted ML	1211-2016-10
		transparent	1211-3013-10
For profiles [LL A,LL B,LL C,LL D,LL G,LL H,LL Y,LL Z,LL OMC,LL OR]			
Cover BASIC PC		transparent	1211-3013-10
		frozen	1211-3012-10
		milky	1211-3011-10
For profiles [LL A,LL B,LL C,LL D,LL G,LL H,LL Y,LL Z,LL OMC,LL OR]			
Cover BASIC PMMA LENS 15		lens transparent	1211-2060-10
For profiles [LL A,LL B,LL C,LL D,LL G,LL H,LL Y,LL Z,LL OMC,LL OR]			
Cover BASIC PMMA LENS 30		lens transparent	1211-2080-10
For profiles [LL A,LL B,LL C,LL D,LL G,LL H,LL Y,LL Z,LL OMC,LL OR]			
Cover HIGH PMMA		transparent	1211-2053-10
		frozen	1211-2052-10
		milky	1211-2051-10
For profiles [LL A, LL B, LL C, LL D]			
Cover HIGH PMMA FROSTED		frosted	1211-2055-10
		frosted ML	1211-2056-10
For profiles [LL A, LL B, LL C, LL D]			


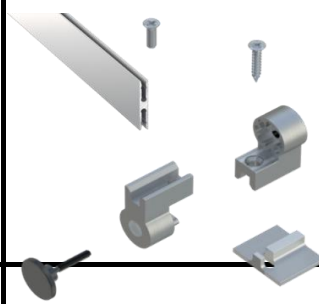
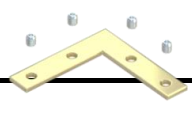
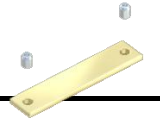


<p align="center">Cover SLIM PMMA</p>		<p align="center">transparent</p>	<p align="center">1211-2023-10</p>
<p align="center">For profile [LL X, LL OCl]</p>		<p align="center">frozen</p>	<p align="center">1211-2022-10</p>
<p align="center">Cover SLIM PMMA FROSTED</p>		<p align="center">milky</p>	<p align="center">1211-2021-10</p>
<p align="center">For profile [LL X, LL OCl]</p>		<p align="center">frosted</p>	<p align="center">1211-2025-10</p>
<p align="center">Cover SLIM PMMA LENS 15</p>		<p align="center">frosted ML</p>	<p align="center">1211-2026-10</p>
<p align="center">For profile [LL X, LL OCl]</p>		<p align="center">lens transparent</p>	<p align="center">1211-2100-10</p>

MOUNTING PROFILE

Mounting profile ORT

		raw	1210-0290-10
		silver anodized	1210-0294-10

ACCESSORIES FOR FURNITURE PROFILES

Hinge - set		set	1214-6045-00
Articulating System		Joint Kit	1214-6044-01
		Female joint	1214-6044-04
		Male joint	1214-6044-03
		support	1214-6044-02
		Knurled screw	
		<div style="display: flex; justify-content: space-between;"> silver 1214-6044-06 </div> <div style="display: flex; justify-content: space-between;"> black 1214-6044-16 </div>	
Connectors [For profile OMC]		angular 90 degree (without allen)	1214-3030-01
		angular 90 degree (with allen)	1214-3031-01
		straight (without allen)	1214-3032-02
		straight (with allen)	1214-3030-02
		angular cross (without allen)	1214-3038-01
		angular cross (with allen)	1214-3039-01
		angular 120 degree (without allen)	1214-3036-01
		angular 120 degree (with allen)	1214-3037-01

Current pendants for profiles
[For profiles LL A, LL Y, LL I6, LL I10]



M4 cable lock	1214-2002-00
cable (with ball) 1250 mm	1214-2005-01
nipple	1214-2003-00
16x15 ceiling mount	1214-2004-00
set - 1250 mm	1214-2010-01
set - 1500 mm	1214-2011-02
set - 2000 mm	1214-2012-03
set - 3000 mm	1214-2013-04
set - 5000 mm	1214-2014-05

Current pendants for profiles
[For profiles LL A, LL Y, LL I6, LL I10]



cable lock M10x1x15	1214-2015-00
ACU line 1250x1,35mm 0,50mm2	1214-2016-11
16x29 ceiling mount	1214-2022-00
set of 1250 mm 0.5mm2	1214-2023-11
set of 1250 mm 0.75mm2	1214-2024-11
set of 1500 mm 0.5mm2	1214-2025-12
set of 1500 mm 0.75mm2	1214-2026-12
set of 2000 mm 0.5mm2	1214-2027-13
set of 2000 mm 0.75mm2	1214-2028-13

** The profiles and cover are available in sizes: 1000 mm, 2020 mm
 *** Dimensions of 3000 mm and 4000 mm are also available after prior consultation.

It is possible to cut profiles to any dimension



ARCHITECTURAL PROFILES - GROUP I

Description	Photo	Colour	Index	Price in Euro per meter
Profile type LL ARET				
		silver anodized	1210-0154-10	3.61 €
		white lacquered	1210-0151-10	4.76 €
End Caps LL ARET [with hole, without hole]		Plastic End Caps		
		gray	1212-0144-01	0.35 €
		white	1212-0141-01	
		Plastic End Caps with hole		
		gray	1212-0144-00	0.35 €
		white	1212-0141-00	
		Aluminium End Caps		
silver	1212-0145-11	6.83 €		
Aluminium End Caps with hole				
silver	1212-0145-10	6.83 €		
Profile type LL ACAL				
		silver anodized	1210-0324-10	14.17 €
		black anodized	1210-0322-10	15.79 €
End Caps LL ALAC [with hole, without hole]		Aluminium End Caps left		
		silver	1212-0625-11	7.85 €
		black	1212-0622-11	
		Aluminium End Caps with hole left		
		silver	1212-0625-10	8.01 €
		black	1212-0622-10	
		Aluminium End Caps right		
silver	1212-0635-11	7.85 €		
black	1212-0632-11			
Aluminium End Caps with hole right				
silver	1212-0635-10	8.01 €		
black	1212-0632-10			
The rope ANTI-slip		black	1214-5031-01	1.31 €
		gray	1214-5031-02	1.31 €
Profile type LL ADEL				
		silver anodized	1210-0334-10	6.58 €
		white lacquered	1210-0331-10	7.23 €
End Caps LL ADEL [with hole, without hole, push hole]		Plastic End Caps (push hole)		
		gray	1212-1004-01	0.44 €
		white	1212-1001-01	
		Aluminium End Caps		
		silver	1212-0645-11	3.75 €
white	1212-0641-11			
Aluminium End Caps with hole				
silver	1212-0645-10	3.80 €		
white	1212-0641-10			
Profile type LL inADEL				
		silver anodized	1210-0224-10	7.34 €
		white lacquered	1210-0221-10	8.24 €

End Caps LL inADEL
[with hole]



Plastic End Caps with hole		
gray	1212-0974-00	0.44 €
white	1212-0971-00	
Aluminium End Caps with hole		
silver	1212-0415-10	4.88 €
white	1212-0411-10	

Profile type LL ADELI

		silver anodized	1210-0184-10	7.80 €
		white lacquered	1210-0181-10	8.58 €
<p>End Caps LL ADELI [with hole, without hole, push hole]</p>		Plastic End Caps (push hole)		
		gray	1212-0934-01	0.44 €
		white	1212-0931-01	
		Aluminium End Caps		
		silver	1212-0195-11	4.81 €
		white	1212-0191-11	
Aluminium End Caps with hole				
silver	1212-0195-10	4.86 €		
white	1212-0191-10			

Profile type LL inADELI

		silver anodized	1210-0204-10	8.54 €
		white lacquered	1210-0201-10	9.39 €
<p>End Caps LL inADELI [with hole]</p>		Plastic End Caps with hole		
		gray	1212-0964-00	0.44 €
		white	1212-0961-00	
		Aluminium End Caps with hole		
		silver	1212-0395-10	5.22 €
		white	1212-0391-10	

Profile type LL CINO


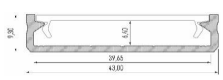


		silver anodized	1210-0394-10	12.50 €
		white lacquered	1210-0391-10	13.74 €
<p>End Caps LL CINO [with hole, without hole]</p>		Aluminium End Caps left		
		silver	1212-0875-11	5.34 €
		white	1212-0871-11	
		Aluminium End Caps with hole left		
		silver	1212-0875-10	5.43 €
		white	1212-0871-10	
		Aluminium End Caps right		
		silver	1212-0885-11	5.34 €
		white	1212-0881-11	
		Aluminium End Caps with hole right		
		silver	1212-0885-10	5.43 €
		white	1212-0881-10	
<p>End Caps LL CINO + AILA M2 [with hole, without hole]</p>		Aluminium End Caps left		
		silver	1212-1125-11	7.96 €
		white	1212-1121-11	
		Aluminium End Caps with hole left		
		silver	1212-1125-10	7.96 €
		white	1212-1121-10	
		Aluminium End Caps right		
		silver	1212-1135-11	7.96 €
		white	1212-1131-11	
		Aluminium End Caps with hole right		
		silver	1212-1135-10	7.96 €
		white	1212-1131-10	

Profile type LL OPID


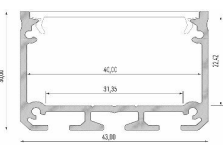

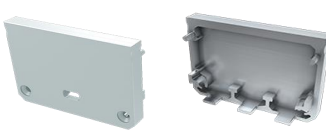
		silver anodized	1210-0194-10	14.22 €
		white lacquered	1210-0191-10	15.62 €
<p>End Caps LL OPID [with hole, without hole]</p>		Aluminium End Caps		
		silver	1212-0205-11	6.35 €
		white	1212-0201-11	
		Aluminium End Caps with hole		
silver	1212-0205-10	6.42 €		

End Caps LL OPID + AILA M2 [with hole, without hole]		white	1212-0201-10	0.42 €
		Aluminium End Caps		
		silver	1212-1115-11	9.94 €
		white	1212-1111-11	
		Aluminium End Caps with hole		
		silver	1212-1115-10	9.94 €
		white	1212-1111-10	


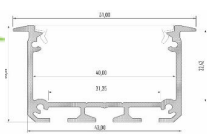

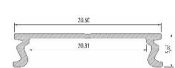


Profile type LL SLS

 		raw	1210-0140-10	3.70 €
		silver anodized	1210-0144-10	5.48 €
		black anodized	1210-0142-10	6.41 €
		inox anodized	1210-0143-10	6.41 €
		white lacquered	1210-0141-10	6.41 €
<p>End Caps LL SLS [with hole, without hole]</p> 	Plastic End Caps			0.44 €
	gray	1212-0134-01		
	black	1212-0132-01		
	white	1212-0131-01		
	Plastic End Caps with hole			0.44 €
	gray	1212-0134-00		
	black	1212-0132-00		
	white	1212-0131-00		
	Aluminium End Caps			7.33 €
	silver	1212-0135-11		
	black	1212-0132-11		
	Aluminium End Caps with hole			7.33 €
silver	1212-0135-10			
black	1212-0132-10			

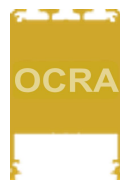
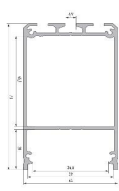
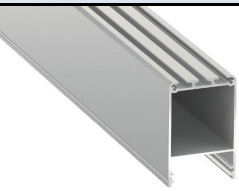

Profile type LL IODE

 		silver anodized	1210-0114-10	12.28 €
		white lacquered	1210-0111-10	14.96 €
<p>End Caps LL IODE [with hole, without hole]</p> 	Plastic End Caps			0.44 €
	gray	1212-0114-01		
	white	1212-0111-01		
	Plastic End Caps with hole			0.44 €
	gray	1212-0114-00		
	white	1212-0111-00		
	Aluminium End Caps			6.41 €
	silver	1212-0115-11		
	white	1212-0111-11		
	Aluminium End Caps with hole			6.41 €
silver	1212-0115-10			
white	1212-0111-10			

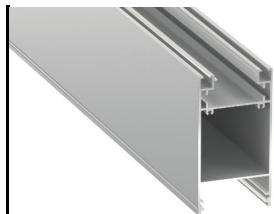
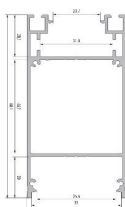
Profile type LL NOS

 		silver anodized	1210-0124-10	12.82 €
		white lacquered	1210-0121-10	15.65 €
 <p>Mounting IOM For profiles LL IODE, LL NOS</p>		silver anodized	1210-0134-10	5.04 €
		white lacquered	1210-0131-10	6.10 €
<p>End Caps LL NOS [without hole]</p> 	Plastic End Caps			0.44 €
	gray	1212-0124-01		
	white	1212-0121-01		
	Aluminium End Caps			14.13 €
	silver	1212-0125-11		
	white	1212-0121-11		

Profil typ LL OCRA

 		silver anodized	1210-0604-10	20.83 €
		white lacquered	1210-0601-10	22.83 €
<p>End Caps LL OCRA [with hole, without hole]</p> 	Aluminium End Caps			8.47 €
	silver	1212-1145-11		
	white	1212-1141-11		
	Aluminium End Caps with hole			8.56 €
	silver	1212-1145-10		
	white	1212-1141-10		

Profil typ LL ILOD



silver anodized	1210-0614-10	25.40 €
white lacquered	1210-0611-10	27.15 €

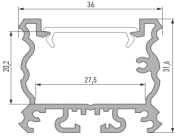

End Caps LL ILOD
[with hole, without hole]



Aluminium End Caps		
silver	1212-1155-11	8.33 €
white	1212-1151-11	
Aluminium End Caps with hole		
silver	1212-1155-10	8.45 €
white	1212-1151-10	

SYSTEM ALT


Profile type LL ALT


		<table border="1" style="width: 100%; border-collapse: collapse;"> <tr> <td style="width: 20%;">silver anodized</td> <td style="width: 40%;">1210-0384-10</td> <td style="width: 40%;">13.12 €</td> </tr> <tr> <td>white lacquered</td> <td>1210-0381-10</td> <td>14.43 €</td> </tr> </table>	silver anodized	1210-0384-10	13.12 €	white lacquered	1210-0381-10	14.43 €
silver anodized	1210-0384-10	13.12 €						
white lacquered	1210-0381-10	14.43 €						

End Caps LL ALT [with hole, without hole]		Aluminium End Caps		
		silver	1212-0805-11	4.88 €
		white	1212-0671-11	
		Aluminium End Caps with hole		
silver	1212-0805-10	5.02 €		
white	1212-0671-10			

Mounting profile type LL ALT M1

		<table border="1" style="width: 100%; border-collapse: collapse;"> <tr> <td style="width: 20%;">silver anodized</td> <td style="width: 40%;">1210-0344-10</td> <td style="width: 40%;">6.90 €</td> </tr> <tr> <td>white lacquered</td> <td>1210-0341-10</td> <td>7.59 €</td> </tr> </table>	silver anodized	1210-0344-10	6.90 €	white lacquered	1210-0341-10	7.59 €
silver anodized	1210-0344-10	6.90 €						
white lacquered	1210-0341-10	7.59 €						


End Caps LL ALT M1 [without hole, with hole]		Aluminium End Caps		
		silver	1212-0685-11	3.24 €
		white	1212-0681-11	
		Aluminium End Caps with hole		
silver	1212-0685-10	3.31 €		
white	1212-0681-10			


End Caps LL ALT M1 + ALT [with hole, without hole]		Aluminium End Caps		
		silver	1212-0695-11	5.11 €
		white	1212-0691-11	
		Aluminium End Caps with hole		
silver	1212-0695-10	5.15 €		
white	1212-0691-10			

Fasteners connectors LL ALT left		aluminium	1414-3041-00	9.94 €
Fasteners connectors LL ALT right			1414-3041-01	
Fasteners connectors LL ALT M1			1414-3041-02	

Mounting profile type LL ALT M2

		<table border="1" style="width: 100%; border-collapse: collapse;"> <tr> <td style="width: 20%;">silver anodized</td> <td style="width: 40%;">1210-0354-10</td> <td style="width: 40%;">17.83 €</td> </tr> <tr> <td>white lacquered</td> <td>1210-0351-10</td> <td>19.61 €</td> </tr> </table>	silver anodized	1210-0354-10	17.83 €	white lacquered	1210-0351-10	19.61 €
silver anodized	1210-0354-10	17.83 €						
white lacquered	1210-0351-10	19.61 €						

End Caps LL ALT M2 [with hole, without hole]		Aluminium End Caps		
		silver	1212-0705-11	6.58 €
		white	1212-0701-11	
		Aluminium End Caps with hole		
silver	1212-0705-10	6.65 €		
white	1212-0701-10			

End Caps LL ALT M2 + LL ALT [with hole, without hole]		Aluminium End Caps		
		silver	1212-0715-11	9.16 €
		white	1212-0711-11	
		Aluminium End Caps with hole		
silver	1212-0715-10	9.25 €		
white	1212-0711-10			

Mounting profile type LL ALT M3

		silver anodized	1210-0364-10	27.15 €
		white lacquered	1210-0361-10	29.87 €

**End Caps LL ALT M3
straight finish
[without hole]**



Aluminium End Caps

silver	1212-0755-11	7.94 €
white	1212-0731-11	

**End Caps LL ALT M3
full finish
[without hole]**



Aluminium End Caps

silver	1212-0745-11	15.90 €
white	1212-0721-11	

Mounting profile type LL ALT M4

		silver anodized	1210-0374-10	26.07 €
		white lacquered	1210-0371-10	28.70 €

**End Caps LL ALT M4
straight finish
[without hole]**



Aluminium End Caps

silver	1212-0795-11	6.24 €
white	1212-0771-11	

**End Caps LL ALT M4
full finish
[without hole]**



Aluminium End Caps

silver	1212-0785-11	18.06 €
white	1212-0761-11	

Mounting profile type LL SERO

		silver anodized	1210-0314-10	4.26 €
		white lacquered	1210-0311-10	4.69 €

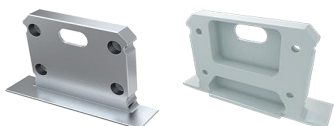
Inter-profile connector for LL ALT M3/M4

		-	1414-3041-03	1.84 €
--	--	---	--------------	--------

LUMINES Profile type LL inALT

		silver anodized	1210-0234-10	13.39 €
		white lacquered	1210-0231-10	14.73 €

**End Caps LL inALT
[with hole]**



Aluminium End Caps with hole

silver	1212-0425-10	6.21 €
white	1212-0421-10	

SYSTEM OGAL

Profile type LL OGAL

		silver anodized	1210-0284-10	26.76 €
		white lacquered	1210-0281-10	29.43 €

End Caps LL OGAL [with hole, without hole]		Aluminium End Caps		
		silver	1212-0515-11 1212-0431-11	9.87 €
		Aluminium End Caps with hole		
		silver	1212-0515-10 1212-0431-10	9.93 €

Mounting profile type LL OGAL M1

		silver anodized	1210-0244-10	16.78 €
		white lacquered	1210-0241-10	18.46 €

End Caps LL OGAL M1 [with hole, without hole]		Aluminium End Caps		
		silver	1212-0445-11 1212-0441-11	5.43 €
		Aluminium End Caps with hole		
		silver	1212-0445-10 1212-0441-10	5.66 €

End Caps LL OGAL M1 + OGAL [with hole, without hole]		Aluminium End Caps		
		silver	1212-0455-11 1212-0451-11	11.69 €
		Aluminium End Caps with hole		
		silver	1212-0455-10 1212-0451-10	11.80 €

Fasteners connectors OGAL left		aluminium	1414-3040-00	15.72 €
Fasteners connectors OGAL right			1414-3040-01	15.72 €
Fasteners connectors OGAL M1			1414-3040-02	21.98 €

Mounting profile type LL OGAL M2

		silver anodized	1210-0254-10	21.91 €
		white lacquered	1210-0251-10	24.09 €

End Caps LL OGAL M2 [with hole, without hole]		Aluminium End Caps		
		silver	1212-0465-11 1212-0461-11	7.09 €
		Aluminium End Caps with hole		
		silver	1212-0465-10 1212-0461-10	7.29 €

End Caps LL OGAL M2 + OGAL [with hole, without hole]		Aluminium End Caps		
		silver	1212-1025-11 1212-1021-11	14.41 €
		Aluminium End Caps with hole		
		silver	1212-1025-10 1212-1021-10	14.43 €

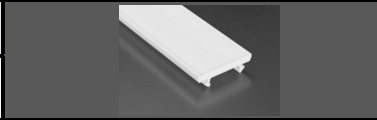
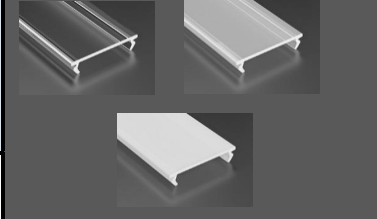
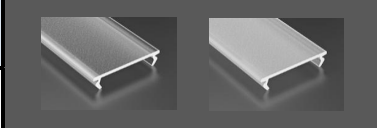
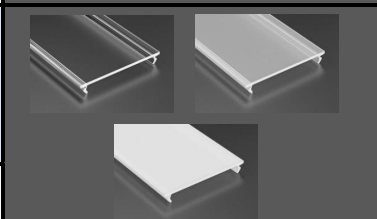
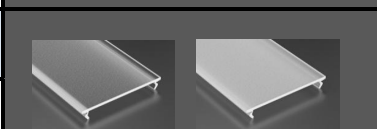
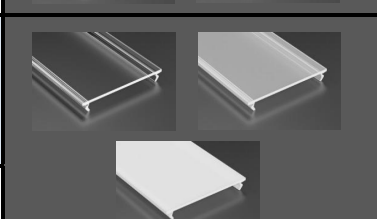
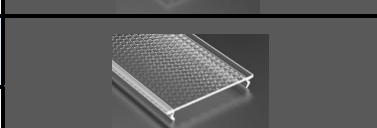
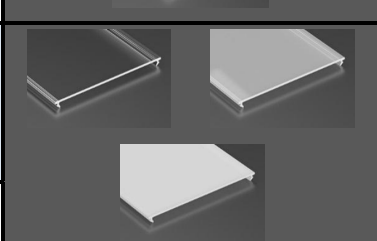
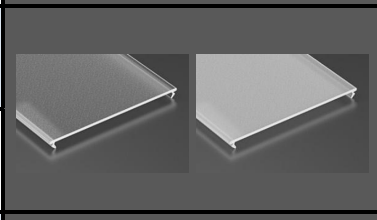

Mounting profile type LL OGAL M3



		silver anodized	1210-0264-10	37.05 €
--	--	-----------------	--------------	---------

		white lacquered	1210-0261-10	40.73 €
End Caps LL OGAL M3 straight finish [without hole]		Aluminium End Caps		
		silver	1212-0485-11	9.32 €
End Caps LL OGAL M3 full finish [without hole]		Aluminium End Caps		
		silver	1212-0475-11	23.08 €
		white	1212-0471-11	
Mounting profile type LL OGAL M4				
		silver anodized	1210-0274-10	36.93 €
		white lacquered	1210-0271-10	40.64 €
End Caps LL OGAL M4 straight finish [without hole]		Aluminium End Caps		
		silver	1212-0505-11	9.66 €
End Caps LL OGAL M4 full finish [without hole]		Aluminium End Caps		
		silver	1212-0495-11	25.13 €
		white	1212-0491-11	
Inter-profile connector for LL OGAL M3/M4				
		-	1414-3040-03	2.26 €
Mounting profile type LL ESOT				
		silver anodized	1210-0314-10	4.26 €
		white lacquered	1210-0311-10	4.69 €
Profile type LL inOGAL				
		silver anodized	1210-0214-10	28.40 €
		white lacquered	1210-0211-10	31.23 €
End Caps LL inOGAL [with hole]		Aluminium End Caps with hole		
		silver	1212-0405-10	15.05 €
		white	1212-0401-10	

ACCESSORIES

COVER

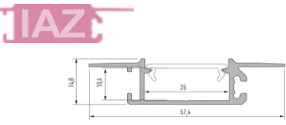

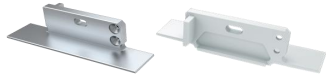
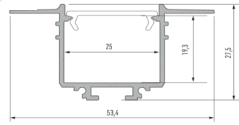


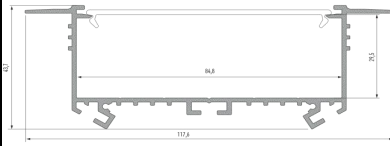


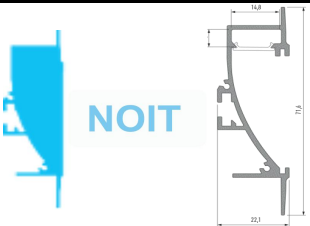
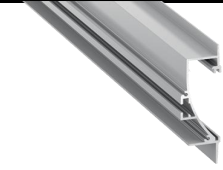

Description	Photo	Colour	Index	Price in Euro per meter
Cover LL ARET PC		milky	1211-3041-10	4.86 €
For profiles [ARET, ACAL]				
Cover LL D2 PMMA		transparent	1211-2073-10	2.71 €
For profiles [ADEL, inADEL, ADELI, inADELI, CINO, OPID, ALT, inALT, ILOD]		frosted	1211-2072-10	
		milky	1211-2071-10	
Cover LL D2 PMMA FROSTED		frosted	1211-2075-10	3.45 €
For profiles [ADEL, inADEL, ADELI, inADELI, CINO, OPID, ALT, inALT, ILOD]		frosted ML	1211-2076-10	
Cover LL WIDE PMMA		transparent	1211-2033-10	3.16 €
For profiles [SLS, iODE, NOS, ILOD, OCRA]		frosted	1211-2032-10	
		milky	1211-2031-10	
Cover LL WIDE PMMA FROSTED		frosted	1211-2035-10	4.21 €
For profiles [SLS, iODE, NOS, ILOD, OCRA]		frosted ML	1211-2036-10	
Cover LL WIDE PC		transparent	1211-3033-10	4.34 €
For profiles [SLS, iODE, NOS, ILOD, OCRA]		frosted	1211-3032-10	4.34 €
		milky	1211-3031-10	4.34 €
Cover LL WIDE PRISM PC		transparent	1211-3034-10	6.90 €
For profiles [SLS, iODE, NOS, ILOD, OCRA]				
Cover LL SUPER WIDE PMMA		transparent	1211-2093-10	9.34 €
For profiles [OGAL, inOGAL]		frosted	1211-2092-10	
		milky	1211-2091-10	
Cover LL SUPER WIDE PMMA FROSTED		frosted	1211-2095-10	15.06 €
For profiles [OGAL, inOGAL]		frosted ML	1211-2096-10	
Cover LL SUPER WIDE PLEXI		PLEXI milky	1211-2001-10	2.47 €



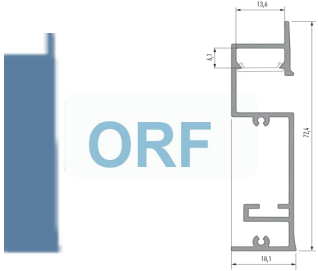





For profiles [OGAL, inOGAL]		FLEXIBILITY	1211-5091-10	3,47 €
ACCESSORIES				
Mounting spring [For profiles inADEL, inADELI, ALT M3, ALT M4, inALT, OGAL M3, OGAL M4, NOIT, IBUS, GARO, OTO, PRO, VAD]		galvanized steel	1214-5001-00	0.54 €
LL Pendants [For profiles ADEL, ADELI, CINO, DIPO, ALT, OGAL]		M4 cable lock	1214-2002-00	1.81 €
		Y cable lock	1214-2058-00	2.59 €
		cable (with ball) 1250 mm	1214-2005-01	0.99 €
		cable doubleside (with two balls) 250mm	1214-2059-00	2.69 €
		cable doubleside (with two balls) 500mm	1214-2060-00	2.95 €
		nipple	1214-2003-00	0.62 €
		16x15 ceiling mount	1214-2004-00	1.27 €
		set 1250 + Y cable lock 250	1214-2061-00	8.16 €
		set 1250 + Y cable lock 500	1214-2062-00	8.41 €
		set - 1250 mm	1214-2010-01	4.69 €
		set - 1500 mm	1214-2011-02	4.77 €
		set - 2000 mm	1214-2012-03	5.30 €
		set - 3000 mm	1214-2013-04	6.04 €
		set - 5000 mm	1214-2014-05	8.96 €
LL Current pendants [For profiles ADEL, ADELI, CINO, DIPO, ALT, OGAL]		cable lock M10x1x15	1214-2015-00	1.65 €
		ACU line 1250x1,35mm 0,50mm2	1214-2016-11	5.61 €
		16x29 ceiling mount	1214-2022-00	2.18 €
		set of 1250 mm 0.5mm2	1214-2023-11	11.25 €
		set of 1250 mm 0.75mm2	1214-2024-11	13.47 €
		set of 1500 mm 0.5mm2	1214-2025-12	12.14 €
		set of 1500 mm 0.75mm2	1214-2026-12	14.75 €
		set of 2000 mm 0.5mm2	1214-2027-13	13.90 €
		set of 2000 mm 0.75mm2	1214-2028-13	17.36 €
LL Connectors		angular (without allen)	1214-3030-01	2.79 €
		angular (with allen)	1214-3031-01	3.74 €
		straight (without allen)	1214-3032-02	1.53 €
		straight (with allen)	1214-3030-02	2.49 €
		angular cross (without allen)	1214-3038-01	3.15 €
		angular cross (with allen)	1214-3039-01	4.15 €
		angular 120 degree (without allen)	1214-3036-01	3.27 €
		angular 120 degree (with allen)	1214-3037-01	4.26 €
Gland [For profiles ALT, inALT, OGAL, inOGAL]		black	1214-5046-00	0.23 €
		white	1214-5046-01	0.23 €


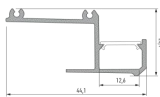



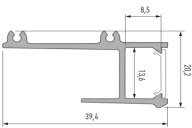



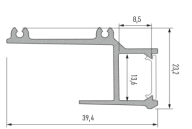


** The profiles and cover are available in sizes: 1000 mm, 2020 mm
*** Dimensions of 3000 mm and 4000 mm are also available after prior consultation.

It is possible to cut profiles to any dimension

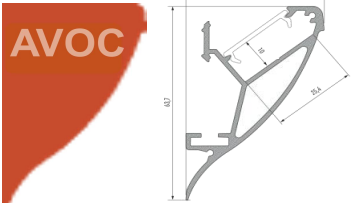


ARCHITECTURAL PROFILES - GROUP II

Description	Photo	Colour	Index	Price in Euro per meter
Profile type IAZ				
		silver anodized	1210-0594-10	8.84 €
		white lacquered	1210-0591-10	9.73 €
End Caps LL IAZ [with hole]		Aluminium End Caps with hole left		
		silver	1212-0905-10	6.35 €
		white	1212-0901-10	
		Aluminium End Caps with hole right		
silver	1212-0915-10	6.35 €		
white	1212-0911-10			
Profile type LL IBUS				
		silver anodized	1210-0554-10	9.99 €
		white lacquered	1210-0551-10	11.00 €
End Caps LL IBUS [with hole]		Aluminium End Caps with hole		
		silver	1212-0665-10	6.42 €
		white	1212-0661-10	
Profile type GORA				
		silver anodized	1210-0534-10	26.85 €
		white lacquered	1210-0531-10	29.55 €
End Caps LL GORA [with hole]		Aluminium End Caps with hole		
		silver	12-0655-10	12.20 €
		white	12-0651-10	
Profile type NOIT				
		silver anodized	1210-0564-10	13.42 €
		white lacquered	1210-0561-10	14.75 €
		Aluminium End Caps left		
		silver	1212-0835-11	5.09 €
		white	1212-0831-11	

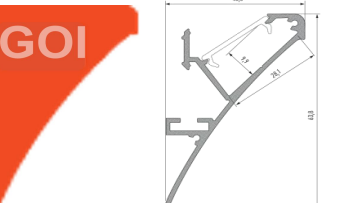


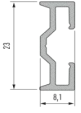
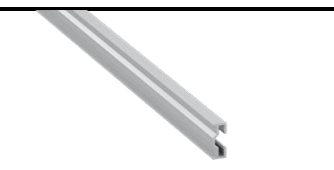
<p>End Caps straight LL NOIT [with hole, without hole]</p>		<table border="1"> <thead> <tr> <th colspan="3">Aluminium End Caps with hole left</th> </tr> </thead> <tbody> <tr> <td>silver</td> <td>1212-0835-10</td> <td rowspan="2">5.18 €</td> </tr> <tr> <td>white</td> <td>1212-0831-10</td> </tr> <tr> <th colspan="3">Aluminium End Caps right</th> </tr> <tr> <td>silver</td> <td>1212-0845-11</td> <td rowspan="2">5.09 €</td> </tr> <tr> <td>white</td> <td>1212-0841-11</td> </tr> <tr> <th colspan="3">Aluminium End Caps with hole right</th> </tr> <tr> <td>silver</td> <td>1212-0845-10</td> <td rowspan="2">5.18 €</td> </tr> <tr> <td>white</td> <td>1212-0841-10</td> </tr> </tbody> </table>	Aluminium End Caps with hole left			silver	1212-0835-10	5.18 €	white	1212-0831-10	Aluminium End Caps right			silver	1212-0845-11	5.09 €	white	1212-0841-11	Aluminium End Caps with hole right			silver	1212-0845-10	5.18 €	white	1212-0841-10								
Aluminium End Caps with hole left																																		
silver	1212-0835-10	5.18 €																																
white	1212-0831-10																																	
Aluminium End Caps right																																		
silver	1212-0845-11	5.09 €																																
white	1212-0841-11																																	
Aluminium End Caps with hole right																																		
silver	1212-0845-10	5.18 €																																
white	1212-0841-10																																	
<p>End Caps built-in LL NOIT [with hole]</p>		<table border="1"> <thead> <tr> <th colspan="3">Aluminium End Caps with hole left</th> </tr> </thead> <tbody> <tr> <td>silver</td> <td>1212-0815-10</td> <td rowspan="2">6.74 €</td> </tr> <tr> <td>white</td> <td>1212-0811-10</td> </tr> <tr> <th colspan="3">Aluminium End Caps with hole right</th> </tr> <tr> <td>silver</td> <td>1212-0825-10</td> <td rowspan="2">6.74 €</td> </tr> <tr> <td>white</td> <td>1212-0821-10</td> </tr> </tbody> </table>	Aluminium End Caps with hole left			silver	1212-0815-10	6.74 €	white	1212-0811-10	Aluminium End Caps with hole right			silver	1212-0825-10	6.74 €	white	1212-0821-10																
Aluminium End Caps with hole left																																		
silver	1212-0815-10	6.74 €																																
white	1212-0811-10																																	
Aluminium End Caps with hole right																																		
silver	1212-0825-10	6.74 €																																
white	1212-0821-10																																	
Profile type LL ORF																																		
		<table border="1"> <tbody> <tr> <td>silver anodized</td> <td>1210-0444-10</td> <td>13.58 €</td> </tr> <tr> <td>white lacquered</td> <td>1210-0441-10</td> <td>14.93 €</td> </tr> </tbody> </table>	silver anodized	1210-0444-10	13.58 €	white lacquered	1210-0441-10	14.93 €																										
silver anodized	1210-0444-10	13.58 €																																
white lacquered	1210-0441-10	14.93 €																																
<p>End Caps straight LL ORF [with hole, without hole]</p>		<table border="1"> <thead> <tr> <th colspan="3">Aluminium End Caps left</th> </tr> </thead> <tbody> <tr> <td>silver</td> <td>1212-0255-11</td> <td rowspan="2">4.76 €</td> </tr> <tr> <td>white</td> <td>1212-0231-11</td> </tr> <tr> <th colspan="3">Aluminium End Caps with hole left</th> </tr> <tr> <td>silver</td> <td>1212-0255-10</td> <td rowspan="2">4.86 €</td> </tr> <tr> <td>white</td> <td>1212-0231-10</td> </tr> <tr> <th colspan="3">Aluminium End Caps right</th> </tr> <tr> <td>silver</td> <td>1212-0245-11</td> <td rowspan="2">4.76 €</td> </tr> <tr> <td>white</td> <td>1212-0241-11</td> </tr> <tr> <th colspan="3">Aluminium End Caps with hole right</th> </tr> <tr> <td>silver</td> <td>1212-0245-10</td> <td rowspan="2">4.86 €</td> </tr> <tr> <td>white</td> <td>1212-0241-10</td> </tr> </tbody> </table>	Aluminium End Caps left			silver	1212-0255-11	4.76 €	white	1212-0231-11	Aluminium End Caps with hole left			silver	1212-0255-10	4.86 €	white	1212-0231-10	Aluminium End Caps right			silver	1212-0245-11	4.76 €	white	1212-0241-11	Aluminium End Caps with hole right			silver	1212-0245-10	4.86 €	white	1212-0241-10
Aluminium End Caps left																																		
silver	1212-0255-11	4.76 €																																
white	1212-0231-11																																	
Aluminium End Caps with hole left																																		
silver	1212-0255-10	4.86 €																																
white	1212-0231-10																																	
Aluminium End Caps right																																		
silver	1212-0245-11	4.76 €																																
white	1212-0241-11																																	
Aluminium End Caps with hole right																																		
silver	1212-0245-10	4.86 €																																
white	1212-0241-10																																	
<p>End Caps built-in LL ORF [with hole]</p>		<table border="1"> <thead> <tr> <th colspan="3">Aluminium End Caps with hole left</th> </tr> </thead> <tbody> <tr> <td>silver</td> <td>1212-0215-10</td> <td rowspan="2">6.28 €</td> </tr> <tr> <td>white</td> <td>1212-0211-10</td> </tr> <tr> <th colspan="3">Aluminium End Caps with hole right</th> </tr> <tr> <td>silver</td> <td>1212-0235-10</td> <td rowspan="2">6.28 €</td> </tr> <tr> <td>white</td> <td>1212-0221-10</td> </tr> </tbody> </table>	Aluminium End Caps with hole left			silver	1212-0215-10	6.28 €	white	1212-0211-10	Aluminium End Caps with hole right			silver	1212-0235-10	6.28 €	white	1212-0221-10																
Aluminium End Caps with hole left																																		
silver	1212-0215-10	6.28 €																																
white	1212-0211-10																																	
Aluminium End Caps with hole right																																		
silver	1212-0235-10	6.28 €																																
white	1212-0221-10																																	
Profile type LL API12																																		
		<table border="1"> <tbody> <tr> <td>silver anodized</td> <td>1210-0484-10</td> <td>7.46 €</td> </tr> <tr> <td>white lacquered</td> <td>1210-0481-10</td> <td>8.22 €</td> </tr> </tbody> </table>	silver anodized	1210-0484-10	7.46 €	white lacquered	1210-0481-10	8.22 €																										
silver anodized	1210-0484-10	7.46 €																																
white lacquered	1210-0481-10	8.22 €																																

Profile type LL API16					
 			silver anodized	1210-0494-10	7.69 €
			white lacquered	1210-0491-10	8.47 €
Profile type LL AAP12					
 			silver anodized	1210-0404-10	7.23 €
			white lacquered	1210-0401-10	7.94 €
Profile type LL AAP16					
 			silver anodized	1210-0414-10	7.43 €
			white lacquered	1210-0411-10	8.17 €

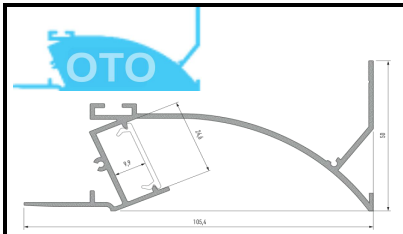
Profile type AVOC

		<table border="1"> <tr> <td>silver anodized</td> <td>1210-0424-10</td> <td>15.16 €</td> </tr> <tr> <td>white lacquered</td> <td>1210-0421-10</td> <td>16.66 €</td> </tr> </table>	silver anodized	1210-0424-10	15.16 €	white lacquered	1210-0421-10	16.66 €
		silver anodized	1210-0424-10	15.16 €				
white lacquered	1210-0421-10	16.66 €						
<p>End Caps LL AVOC [with hole, without hole]</p> 	Aluminium End Caps left							
	silver	1212-0155-11	6.44 €					
	white	1212-0151-11						
	Aluminium End Caps with hole left							
	silver	1212-0155-10	6.65 €					
	white	1212-0151-10						
	Aluminium End Caps right							
	silver	1212-0165-11	6.31 €					
	white	1212-0161-11						
	Aluminium End Caps with hole right							
	silver	1212-0165-10	6.47 €					
	white	1212-0161-10						

Profile type GOI

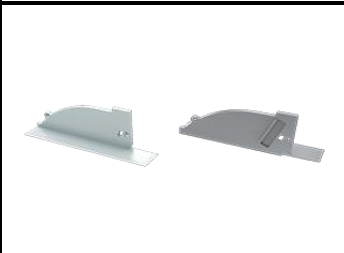
		<table border="1"> <tr> <td>silver anodized</td> <td>1210-0504-10</td> <td>15.07 €</td> </tr> <tr> <td>white lacquered</td> <td>1210-0501-10</td> <td>16.59 €</td> </tr> </table>	silver anodized	1210-0504-10	15.07 €	white lacquered	1210-0501-10	16.59 €
		silver anodized	1210-0504-10	15.07 €				
white lacquered	1210-0501-10	16.59 €						
<p>End Caps LL GOI [with hole, without hole]</p> 	Aluminium End Caps left							
	silver	1212-0525-11	6.37 €					
	white	1212-0521-11						
	Aluminium End Caps with hole left							
	silver	1212-0525-10	6.58 €					
	white	1212-0521-10						
	Aluminium End Caps right							
	silver	1212-0535-11	6.33 €					
	white	1212-0531-11						
	Aluminium End Caps with hole right							
	silver	1212-0535-10	6.54 €					
	white	1212-0531-10						
 Mounting profile LL ARPS for profiles AVOC, GOI		<table border="1"> <tr> <td>silver anodized</td> <td>1210-0544-10</td> <td>4.03 €</td> </tr> </table>	silver anodized	1210-0544-10	4.03 €			
silver anodized	1210-0544-10	4.03 €						

Profile type OTO

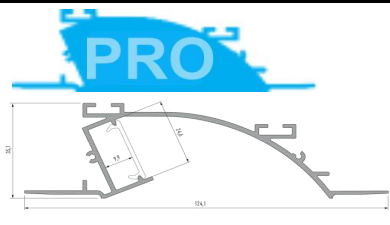

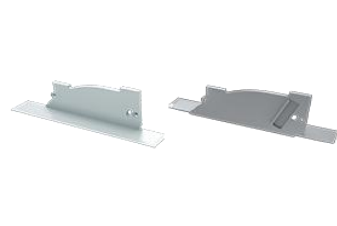
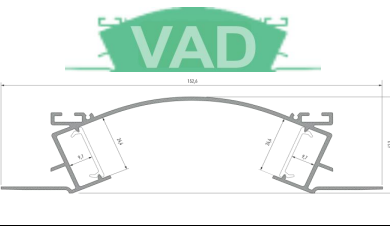

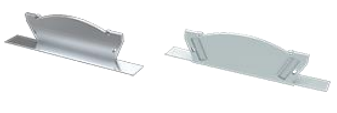


silver anodized	1210-0574-10	24.85 €
white lacquered	1210-0571-10	27.34 €

End Caps LL OTO
[with hole]

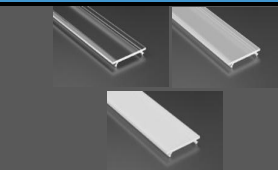
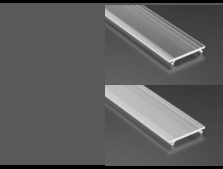
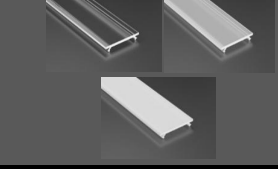
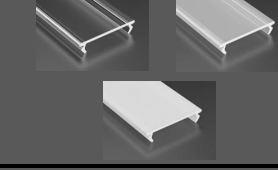
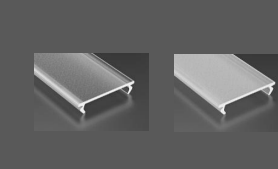
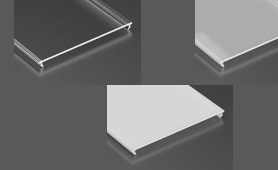
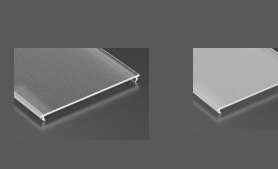
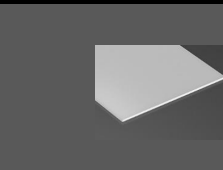



Aluminium End Caps with hole left		
silver	1212-0855-10	16.29 €
white	1212-0851-10	
Aluminium End Caps with hole right		
silver	1212-0865-10	16.29 €
white	1212-0861-10	


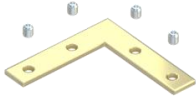



Profile type PRO				
		silver anodized	1210-0514-10	25.31 €
		white lacquered	1210-0511-10	27.84 €
End Caps LL PRO [with hole]		Aluminium End Caps with hole left		
		silver	1212-0555-10	20.53 €
		white	1212-0551-10	
		Aluminium End Caps with hole right		
		silver	1212-0565-10	20.53 €
		white	1212-0561-10	
Profile type VAD				
		silver anodized	1210-0584-10	33.60 €
		white lacquered	1210-0581-10	36.96 €
End Caps LL VAD [with hole]		Aluminium End Caps with hole		
		silver	1212-0895-10	20.57 €
		white	1212-0891-10	

ACCESSORIES

COVER

Description	Photo	Colour	Index	Price in Euro per meter
Cover BASIC PMMA		transparent	1211-2013-10	1.14 €
		frosted	1211-2012-10	1.14 €
		milky	1211-2011-10	1.14 €
For profiles [AAP12, AAP16, API12, API16, ORF, NOIT]				
Cover BASIC PMMA FROSTED		frosted	1211-2015-10	1.52 €
		frosted ML	1211-2016-10	1.52 €
For profiles [AAP12, AAP16, API12, API16, ORF, NOIT]				
Cover BASIC PC		transparent	1211-3013-10	0.92 €
		frosted	1211-3012-10	0.92 €
		milky	1211-3011-10	0.92 €
For profiles [AAP12, AAP16, API12, API16, ORF, NOIT]				
Cover DOUBLE PMMA		transparent	1211-2073-10	2.71 €
		frosted	1211-2072-10	2.71 €
		milky	1211-2071-10	2.71 €
For profiles [IBUS, IAZ,GOI, AVOC, OTO, PRO, VAD]				
Cover DOUBLE PMMA FROSTED		frosted	1211-2075-10	3.45 €
		frosted ML	1211-2076-10	3.45 €
For profiles [IBUS, IAZ,GOI, AVOC, OTO, PRO, VAD]				
Cover SUPER WIDE PMMA		transparent	1211-2093-10	9.34 €
		frosted	1211-2092-10	9.34 €
		milky	1211-2091-10	9.34 €
For profile [GARO]				
Cover SUPER WIDE PMMA FROSTED		frosted	1211-2095-10	15.06 €
		frosted ML	1211-2096-10	15.06 €
For profile [GARO]				
Cover LUMINES SUPER WIDE PLEXI		PLEXI	1211-3091-10	3.47 €
For profile [GARO]				
Cover LL NOIT PLEXI		PLEXI	1211-3111-10	2.09 €
For profile [NOIT]				

ACCESSORIES

<p>Mounting spring [For profiles inADEL, inADELI, ALT M3, ALT M4, inALT, OGAL M3, OGAL M4, NOIT, IBUS, GARO, OTO, PRO, VAD]</p>		galvanized steel	1214-5001-00	0.54 €
<p>LL Connectors</p>		angular (without allen)	1214-3030-01	2.79 €
		angular (with allen)	1214-3031-01	3.74 €
		straight (without allen)	1214-3032-02	1.53 €
		straight (with allen)	1214-3030-02	2.49 €
		angular cross (without allen)	1214-3038-01	3.15 €
		angular cross (with allen)	1214-3039-01	4.15 €
		angular 120 degree (without allen)	1214-3036-01	3.27 €
		angular 120 degree (with allen)	1214-3037-01	4.26 €

** The profiles and cover are available in sizes: 1000 mm, 2020 mm
 *** Dimensions of 3000 mm and 4000 mm are also available after prior consultation

It is possible to cut profiles to any dimension